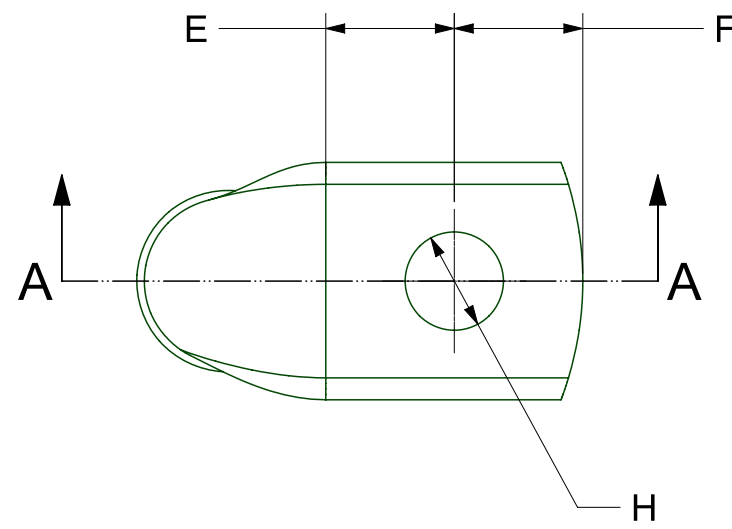
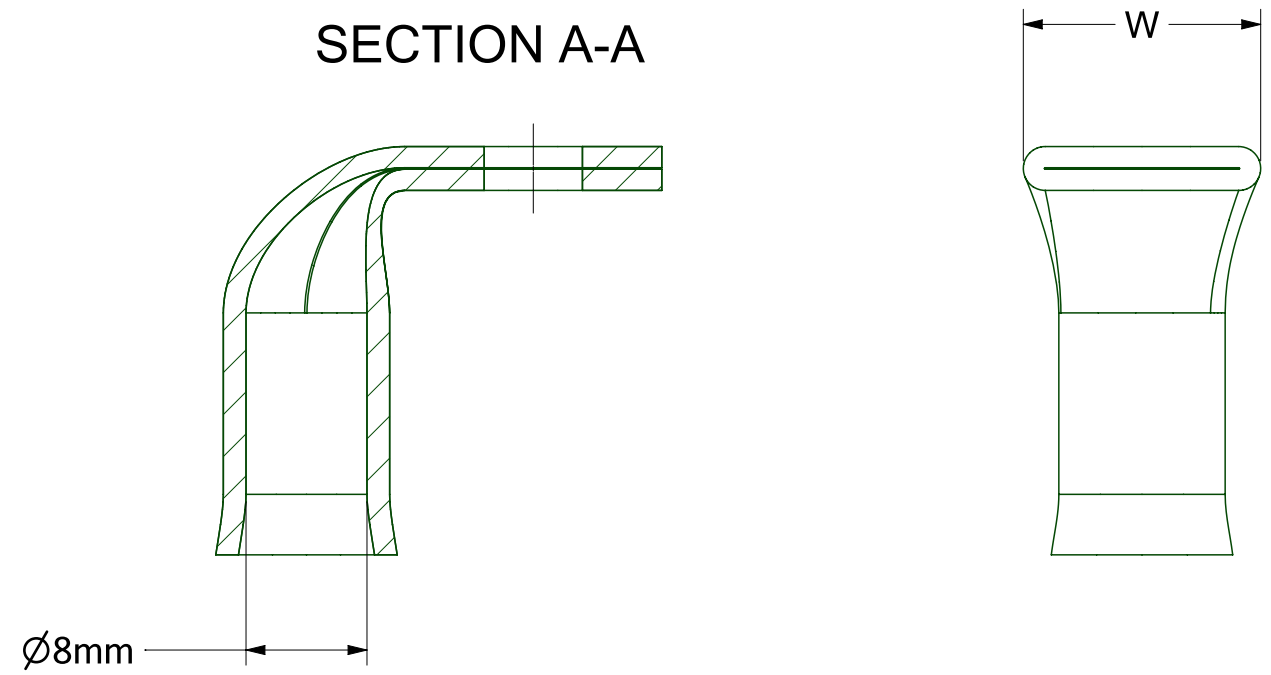


| REVISION HISTORY | |
|------------------|------------------------|
| 1 | Original Concept |
| 2 | Table Dimension Update |



SECTION A-A



| PART NO. | H (mm) | E (mm) | F (mm) | W (mm) |
|----------------|--------|--------|--------|--------|
| TCHD-B90-35-5 | 5.5 | 8.5 | 8.5 | 16.0 |
| TCHD-B90-35-6 | 6.5 | 8.5 | 8.5 | 16.0 |
| TCHD-B90-35-8 | 8.5 | 8.5 | 8.5 | 16.0 |
| TCHD-B90-35-10 | 10.5 | 11.0 | 11.0 | 16.0 |
| TCHD-B90-35-12 | 13.0 | 11.0 | 11.0 | 18.0 |

UOS - LINEAR TOLERANCE PERMISSABLE DEVIATIONS FOR SIZE RANGE:
Tolerances according to DIN ISO 2768 (V)

| DIMS IN MM | 0.5 to 3 | >3 to 6 | >6 to 30 | >30 to 120 | >120 to 400 | >400 to 1000 | >1000 to 2000 | >2000 to 4000 |
|------------|----------|---------|----------|------------|-------------|--------------|---------------|---------------|
| | - | ±0.5 | ±1.0 | ±1.5 | ±2.5 | ±4.0 | ±6.0 | ±8.0 |

TOTAL CONNECTIONS
2009

Total Connections 2009 LTD

www.tc2009.co.uk
sales@tc2009.co.uk
Tel 01249 812 707

Drawing No. TCDR1994 Material. CW024A (C106) COPPER

Part No. TCHD-B90-35-RANGE Finish. 5MICRON ELECTRO TIN PLATED

SIZE A3 Date 20/04/2021 Created By: Dan Hewlett REV 2

SCALE 2:1 SHEET 1 of 1